

FLUID FILLING SYSTEMS SODEREL



30 years at your service



Version 07/2007

FLUID FILLING SYSTEMS SODEREL

In constant search for innovation, SODEREL advise you, design, manufacture, install and maintain all kind of equipment for industrial fluid filling.

The filling solutions of SODEREL are designed to improve the productivity of your company.

Our know-how is at your disposal in order to satisfy your needs and to answer your technological and economical requirements.



From the elaboration of the technical file to the application, our teams ensure complete engineering of your project:

- Engineering and designs
- Assembly
- Installation on site
- Commissioning
- Maintenance



Our solutions, adapted to the production rate of your assembly production line, allow you:

- To reduce your costs
- To acquire an adapted and reliable machine
- To enjoy our reactivity

The whole of our services reflects our attachment to give you complete satisfaction, to keep the high-quality of our products and to respect environment.

We offer you a huge range of applications:

Applications

- . Fuel
 - diesel priming
 - fuel vapours extraction
- . Air conditioning
- . Power steering
- . Brake
- . Gearbox
- . Windscreen washer
- . Cooling liquid
- . Suspension system



FLUID FILLING SYSTEMS

SODEREL

	STAGES			
	1	2	3	4
Gearbox	Check of the adapter connection	Filling with volumeter		
<i>Fluid flow to the adapter with heating up for oil fluidification</i>				
Air conditioning	Residual pressure control	Tightness testing	Filling with control of injected quantity	R134a recovery
Power steering	Tightness testing	Filling by supercharging with volume control	Levelling by reinduction with recycling	Anti-drop system
Brake	Tightness testing	Filling by supercharging with volume control	Levelling by reinduction with recycling	Anti-drop system
<i>Simultaneous management of the ABS Blocks</i>				
Windscreen washer	Check of the adapter connection	Filling with volumeter		
Cooling liquid	Evacuating	Filling with volumeter		Anti-drop system
Suspension system	Pressurization of dehydrated air (or NO2)	Filling with control of the injected pressure		



	Machine specifications				
	Valves	ND	Connection	Advantages	°Inclination
Gearbox	2	13	Fitting of a handle	Cannula in position detection Anti-drop system	Coupling on hose
Air conditioning	3 / 5	7	Quick release coupling	Full recovery of R134a	Coupling on hose
Power steering	3	10	Locking on neck	Telescopic cannula Anti-drop system	90/45/0
Brake	3	10	Locking on neck	Telescopic cannula Anti-drop system	90/45/0
Windscreen washer	1 / 2	13	Fitting of a handle	Anti-drop system	90/45/0
Cooling liquid	3	10	Locking on neck	Telescopic cannula Anti-drop system	90/45/0
Diesel priming	/	/	Quick release coupling	Two-phase detector Anti-drop system	Coupling on hose



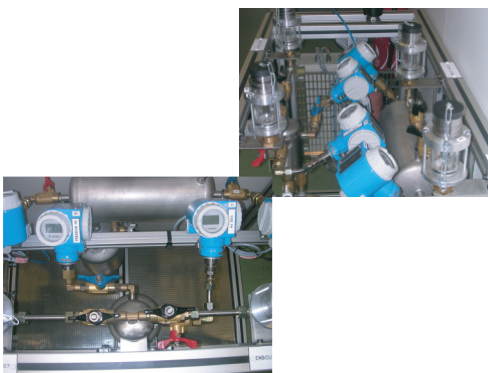
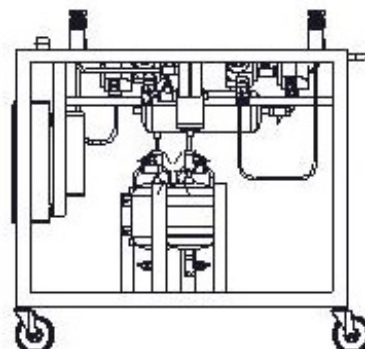
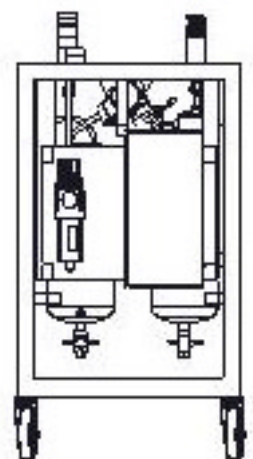
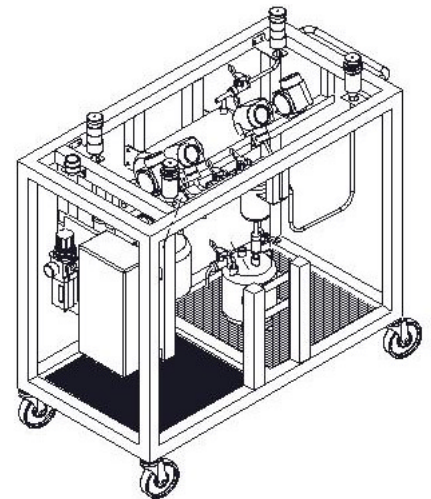
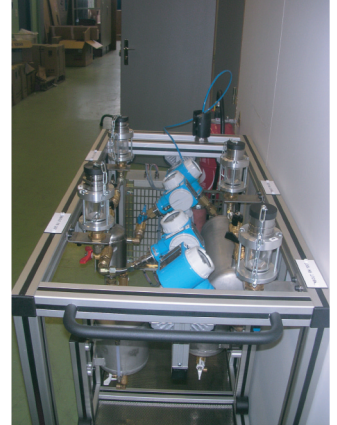
TEST FACILITY FOR FILL FUNCTION SODEREL

The test equipment of Soderel ensures the periodic control of the filling installations.

This means of capability checks the measuring accuracy of the installation for the circuits of cooling liquid, and/or brake, and/or power steering.

On castors, it allows the operator while connecting itself on the circuit of test which contains the specifications of the vehicle, to test:

- the value of vacuum
- the value of load pressure
- the accuracy of the levelling



A network

WEST Area

Rennes

Fax. +33(0)299 771 290

agence.rennes@soderel.com

EAST Area

Sochaux

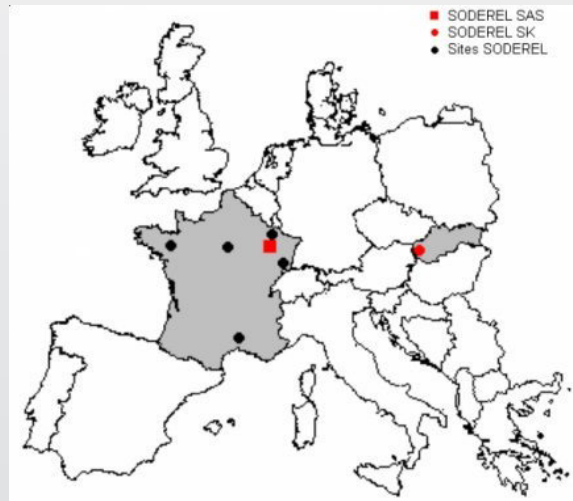
Fax. +33(0)381 945 280

agence.sochaux@soderel.com

Pont -à-Mousson

Fax. +33(0)383 812 567

e.girardot@soderel.com



ILE DE FRANCE

Aulnay-sous-Bois

Fax. +33(0)148 657 045

agenceparis@soderel.com

SODEREL SAS

10, rue du coteau - Z.I. Ouest

F- 54180 Heillecourt

Tel. +33(0)383 55 66 66

Fax. +33(0)383 55 66 67

SOUTH Area

Tarascon

Fax. +33(0)490 915 389

agence.sud@soderel.com

SODEREL SK

(Slovakia)

Modra

Tél. +421 336 474 341

Fax. +421 336 474 378

soderel.sk@soderel.com